

Product manual

PRODUCT RANGE

Residential outdoor

PRODUCT TYPE

Outdoor sauna

MODEL

Terra S

General information

Driven by simplicity and functionality, Terra S is a premanufactured, compact and modular outdoor sauna for residential use. Available in one layout. Spacious interior, sturdy construction.

Technical specification

FEATURE

Exterior finish	Thermo pine C7
Width	2200mm
Depth	2580mm
Height	2500 mm
Weight	Approx kg 2000 kg
Interior finish	Thermo Aspen, Aspen, Alder
Construction	70mm 3-ply CLT
Layouts	One layout
Seats	2-4 people
Power supply	3P 400V 50Hz
Heater and control	Auroom Alta 12 kW + EOS EmoStyle Hi (EOS) Auroom Core 10,5 kW + UKU Glass controller (HUUM)
Lights	LED underbench ligths
Doors and windows	Door: double-glazed tempered glass; pine frames with UV protection; windows: triple glazed temperad Glass color: clear

Intended use

Terra S is a semi-independent product, needs power supply for the heater. Intended to be used as dry finnish type sauna. Any other use of the product other than manufacturer's specified use, is prohibited as it may result in unforeseen damages to the product or health and property.

Construction

Terra S construction is of CLT panels (cross laminated timber). CLT is a novel massive wood product, renowned for it's exceptional stability and rigidity as well as sustainability.

Interior

Interior is finished in top quality thermo aspen panels and boards. Floor is covered with waterproof PVC and covered with thermo aspen floor grids. Interior cladding are waxed dark gray.

Exterior

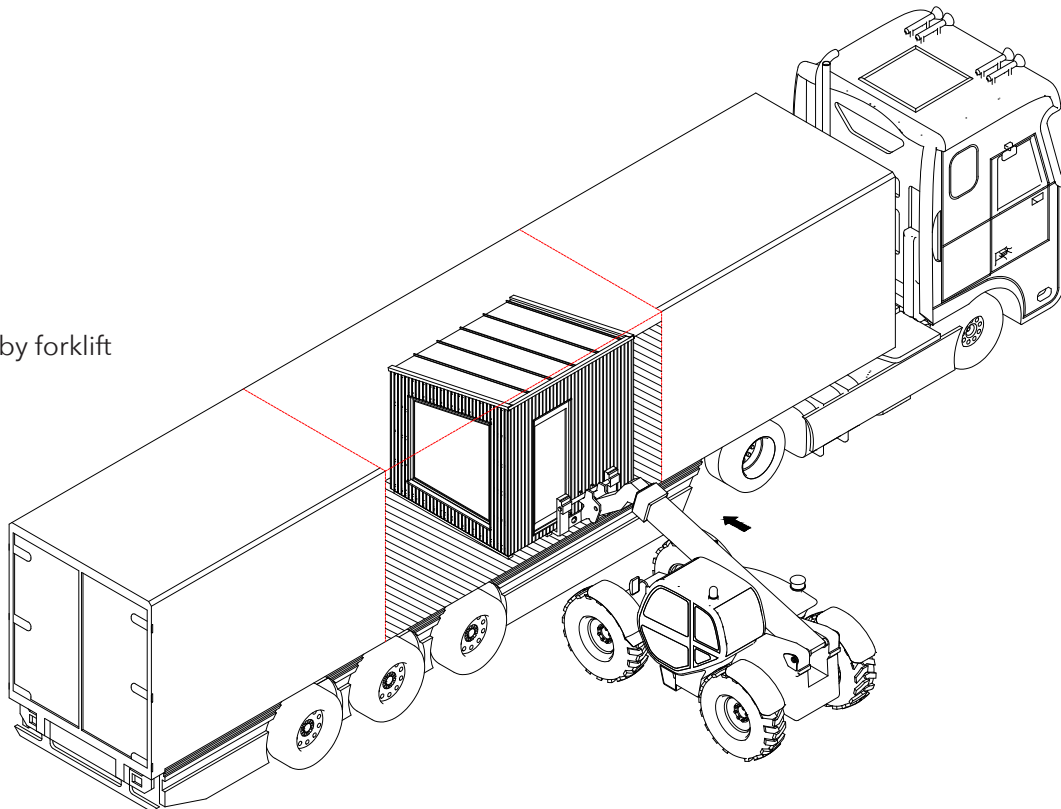
TWO EXTERIOR FINISH OPTIONS:

Natural or black thermo pine cladding C7 gives Terra a premium modern finish

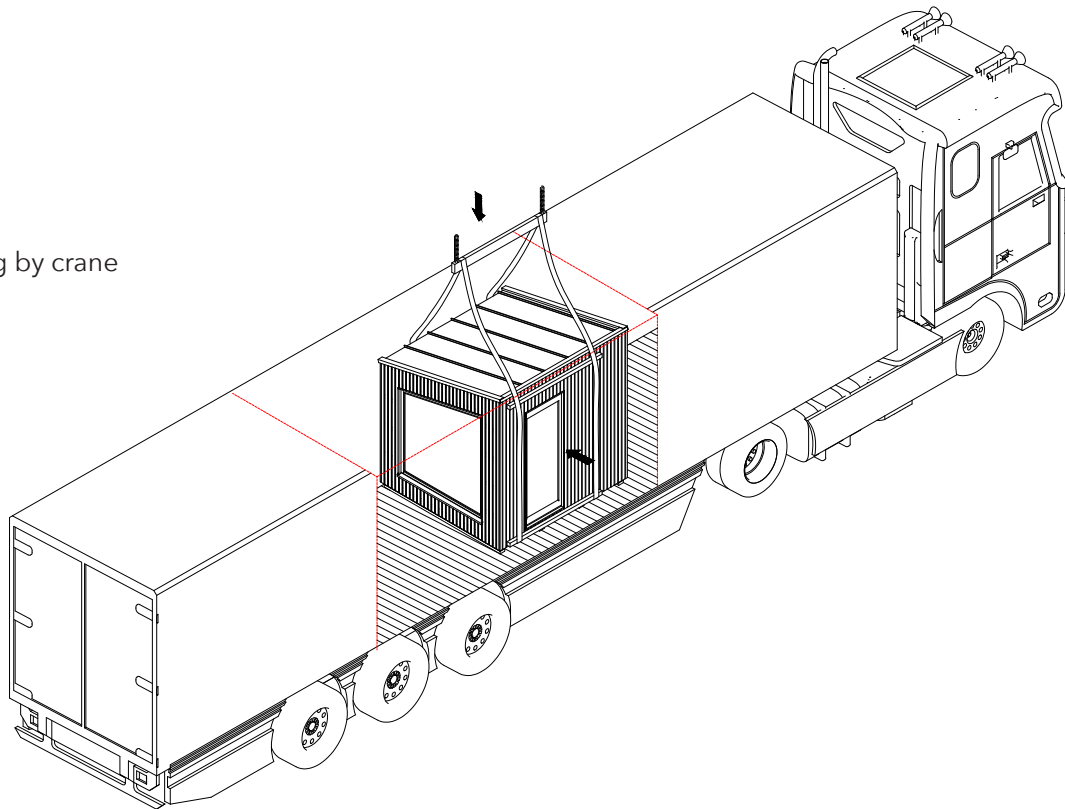
Transport and lifting

Terra S is modular and transported in one piece. It can be lifted by forklift or hoisted by a crane. When lifting or hoisting always follow signs on packaging, precautions provided by producer and general safety protocols.

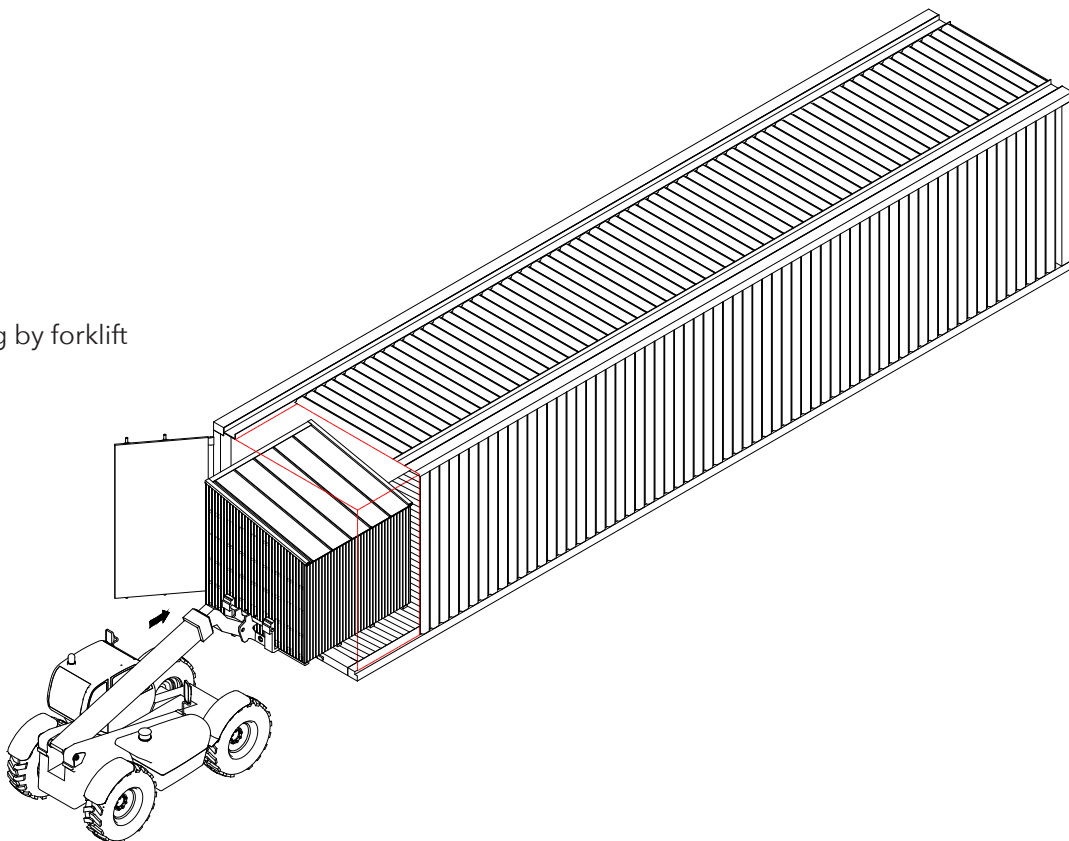
Lifting by forklift



Hoisting by crane



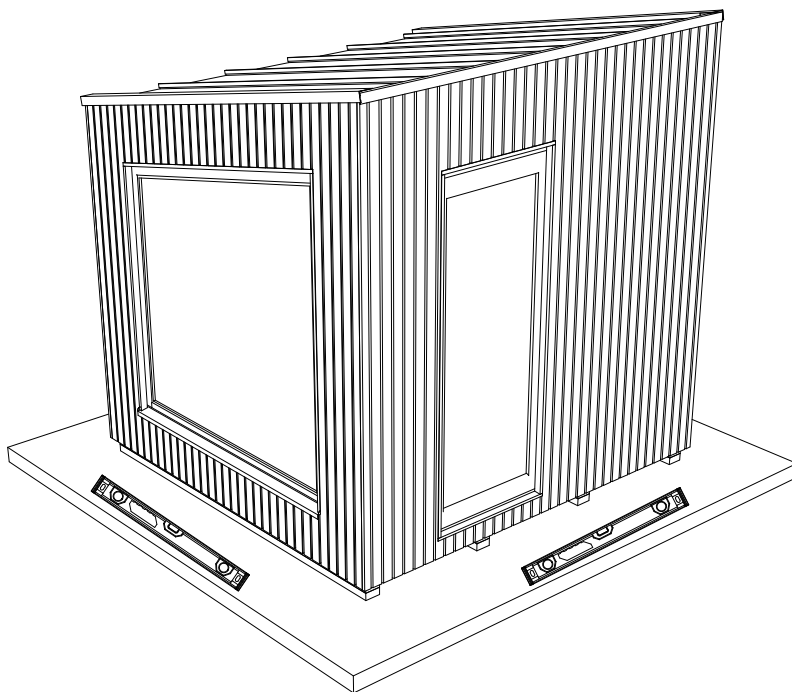
Lifting by forklift



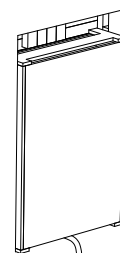
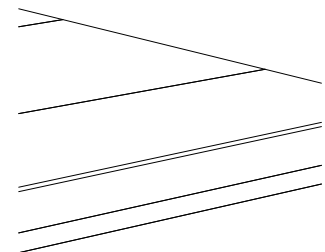
Installation

Product must be installed on previously prepared stable and level substructure. Producer recommends a concrete slab or other substructures provided they fulfil aforementioned requirements. This ensures the product performs as intended.

Installation site must have access to power supply. Sauna is connected to power directly from the electrical panel.



Checking the level of substructure



Power cable behind exterior cladding

