

Product manual

PRODUCT RANGE

Residential outdoor

PRODUCT TYPE

Outdoor sauna

MODEL

Natura

General information

Driven by simplicity and functionality, Natura is a premanufactured, compact and modular outdoor sauna for residential use. Available in two layouts. .Spacious interior, sturdy construction.

Technical specification

FEATURE

Exterior finish	Thermospruce C26
Width	3500mm
Depth	3500mm
Height	2660 mm
Weight	Approx 2500+1450=3950kg
Interior finish	Aspen, Alder or Thermo-aspen Rombto
Construction	70 mm 3-ply CLT
Layouts	Right or left handed
Seats	4-6 people
Power supply	3P 400V 50Hz
Heater and control	Auroom Core 10,5 kW + UKU Glass controller (HUUM) Auroom Alta 12 kW + Auroom Impera controller (EOS)
Lights	LED underbench ligths, spotlights
Doors and windows	Door: double-glazed tempered glass; pine frames with UV protection; windows: triple glazed temperad Glass color: clear

Intended use

Natura is a semi-independent product, needs power supply for the heater. Intended to be used as dry finnish type sauna. Any other use of the product other than manufacturer's specified use, is prohibited as it may result in unforeseen damages to the product or health and property.

Construction

Natura's construction is of CLT panels (cross laminated timber). CLT is a novel massive wood product, renowned for it's exceptional stability and rigidity as well as sustainability.

Interior

Interior is finished in top quality aspen, alder or thermo aspen panels and boards. Floor is covered with waterproof PVC and covered with aspen, alder or thermo aspen floor grids.

Exterior

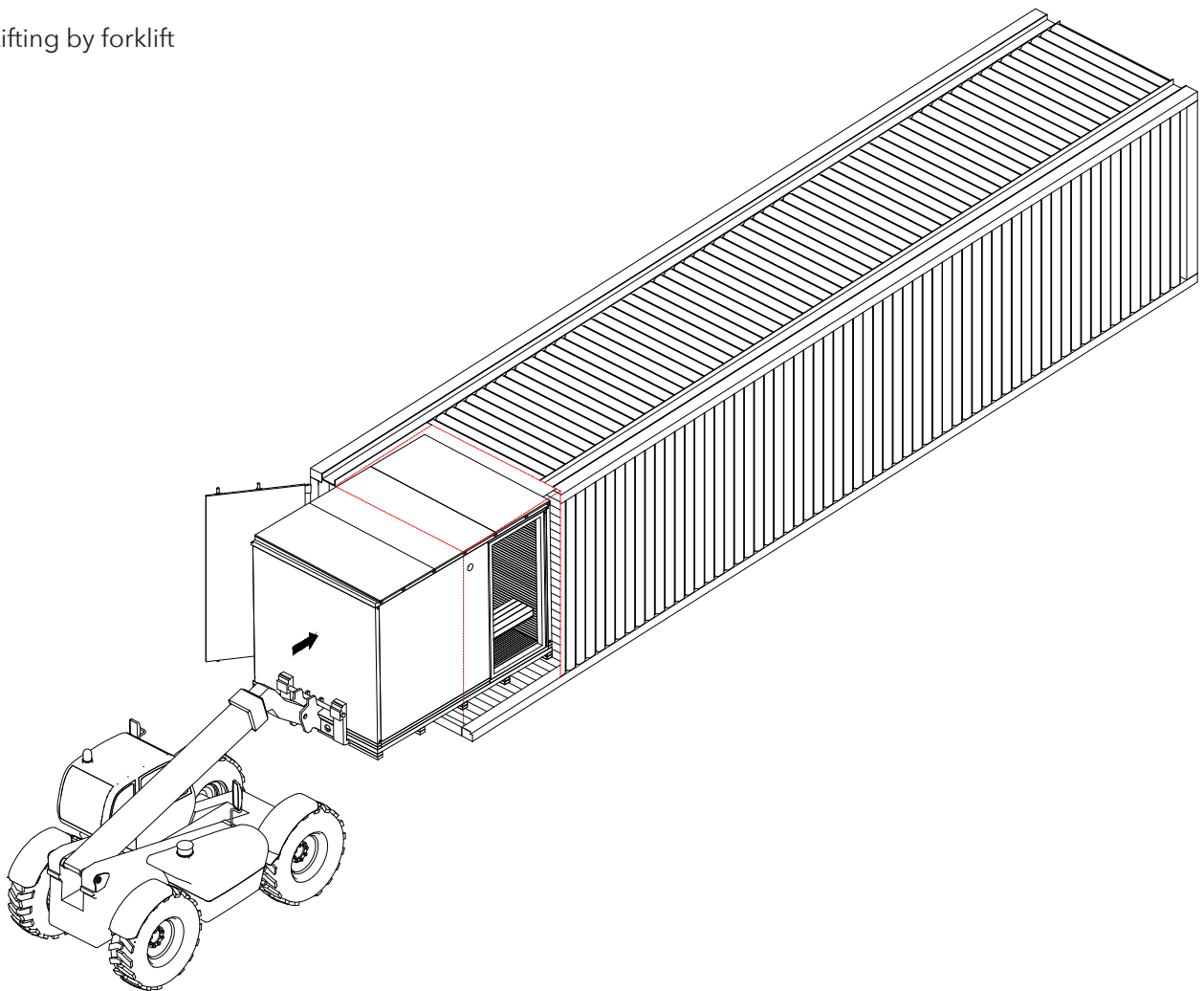
EXTERIOR FINISH OPTIONS:

- Thermally modified and brushed Nordic spruce, C26 profile 19x141 mm, finishing with UV protection.
- Waterproof roofing material suitable for outside
- Terrace finishing and board materials: thermally modified wood, finishing with UV protection
- Exterior color: black

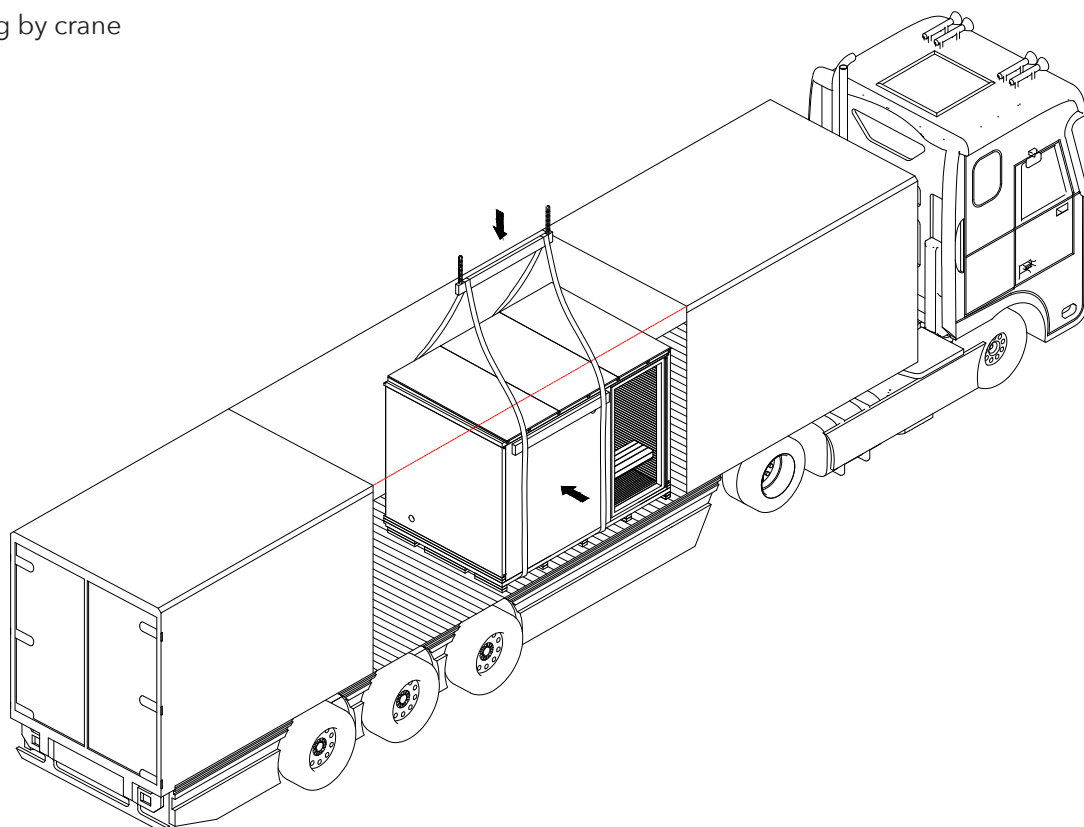
Transport and lifting

Natura is a disassembled model. The following parts are separate: sauna module, terrace, and exterior cladding. It can be lifted by forklift or hoisted by a crane. When lifting or hoisting always follow signs on packaging, precautions provided by producer and general safety protocols.

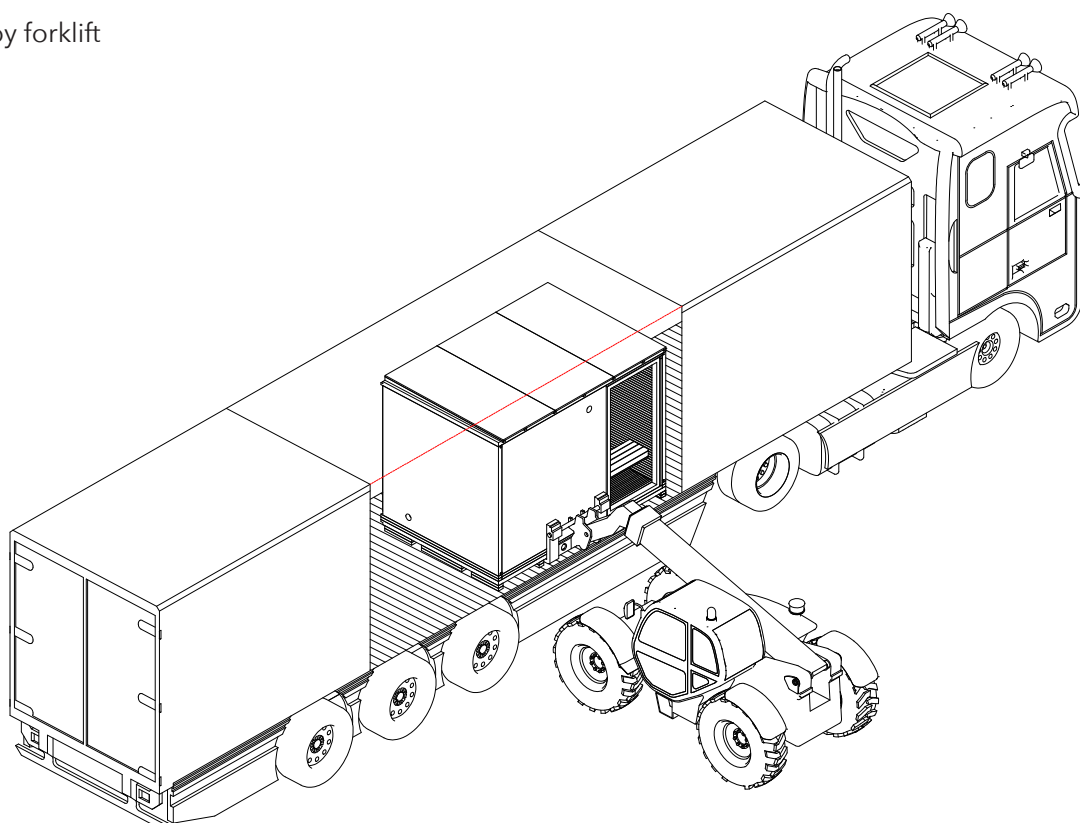
Lifting by forklift



Hoisting by crane



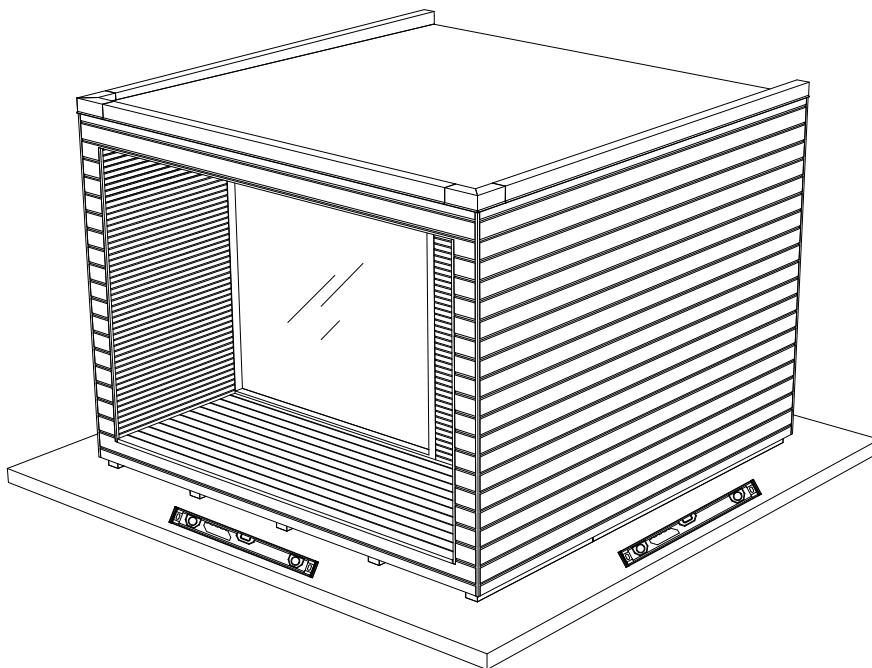
Lifting by forklift



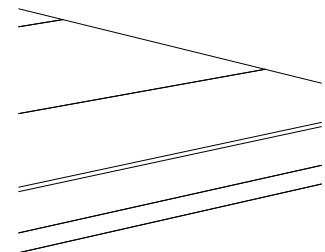
Installation

Product must be installed on previously prepared stable and level substructure. Producer recommends a concrete slab or other substructures provided they fulfil aforementioned requirements. This ensures the product performs as intended.

Installation site must have access to power supply. Sauna is connected to power directly from the electrical panel.



Checking the level of substructure



Power cable behind exterior cladding

